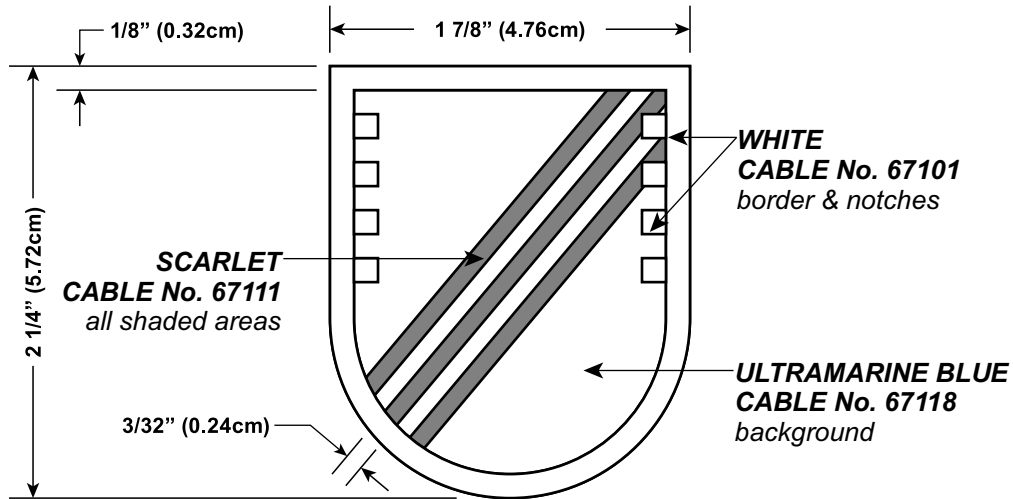


REVISIONS



DESIGNED FOR OVEREDGE STITCHING

EXAMINED	<i>TLC</i>	
CHECKED	<i>CA</i>	<i>SAO</i>
PREPARED	<i>AWW</i>	
APPROVED	<p>_____</p> <p>CHARLES V. MUGNO DIRECTOR</p>	

THE INSTITUTE OF HERALDRY, DEPARTMENT OF THE ARMY
9325 GUNSTON RD, RM S-113 FORT BELVOIR, VA 22060-5579

BERET FLASH FOR
**4TH SECURITY FORCE
ASSISTANCE BRIGADE**

SIZE	CONTROL IDENT. NO	A-4-319
A	22571	

MATERIALS: TO BE MANUFACTURED IN ACCORDANCE WITH MIL-DTL-14652

SCALE	FULL	DATE	18 SEPTEMBER 2018
-------	------	------	--------------------------